

Änderungen vorbehalten
ALTERATIONS RESERVED
MODIFICATIONS RESERVES
CON RISERVA DI MODIFICA

Trennstelle
SEPARATING POINT
POINT DE SEPARA
PUNTO DI SEPARAZIONE

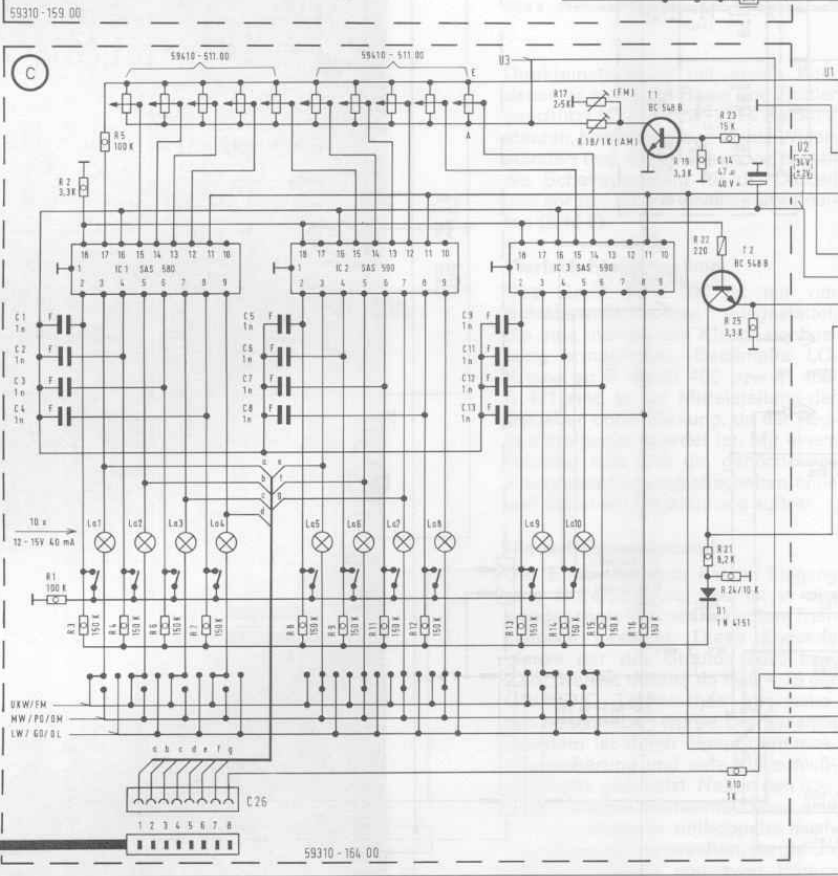
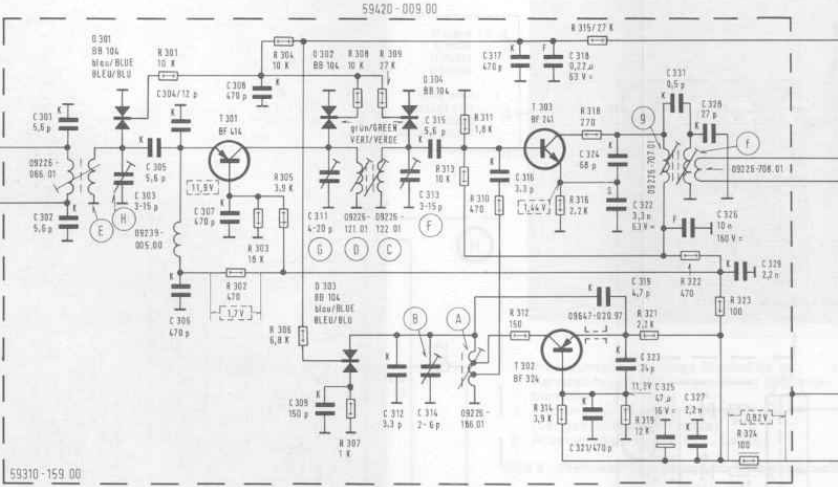
U1 mit Regler R1123 auf 30V + 50 - 0 mV einstellen.
U3 bei AM IV ± 20 mV mit R10 einstellen.
U3 bei FM 2,7V ± 50 mV mit R17 einstellen.
Die Reihenfolge der Spannungseinstellung ist unbedingt zu beachten!

ADJUST U1 WITH CONTROL R1123 TO 30V + 50 - 0 mV
ADJUST U3 TO AM IV ± 20 mV WITH R10
ADJUST U3 TO FM 2.7V ± 50 mV WITH R17
OBSERVE CORRECT SEQUENCE OF VOLTAGE ADJUSTMENTS!

REGLER U1 SUR 30V + 50 - 0 mV A L'AIDE DU REGLAGE R1123
REGLER U3 SUR AM IV ± 20 mV AVEC R10
REGLER U3 SUR FM 2.7V ± 50 mV AVEC R17
VERIFIER A L'ORDRE CORRECT DE MESURES DE TENSION!

TARARE U1 CON IL REGOLATORE R1123 SU 30V + 50 - 0 mV
TARARE U3 CON AM IV ± 20 mV
TARARE U3 CON FM 2.7V ± 50 mV
NELLE REGOLAZIONI DELLE TENSIONI VA OSSERVATA SCRUPOLOSAMENTE!

Ansicht Lötseite
SEEN FROM SOLDER SIDE
VUE DU COTE DES SOLDERES
VISTA LATO SALDATRE

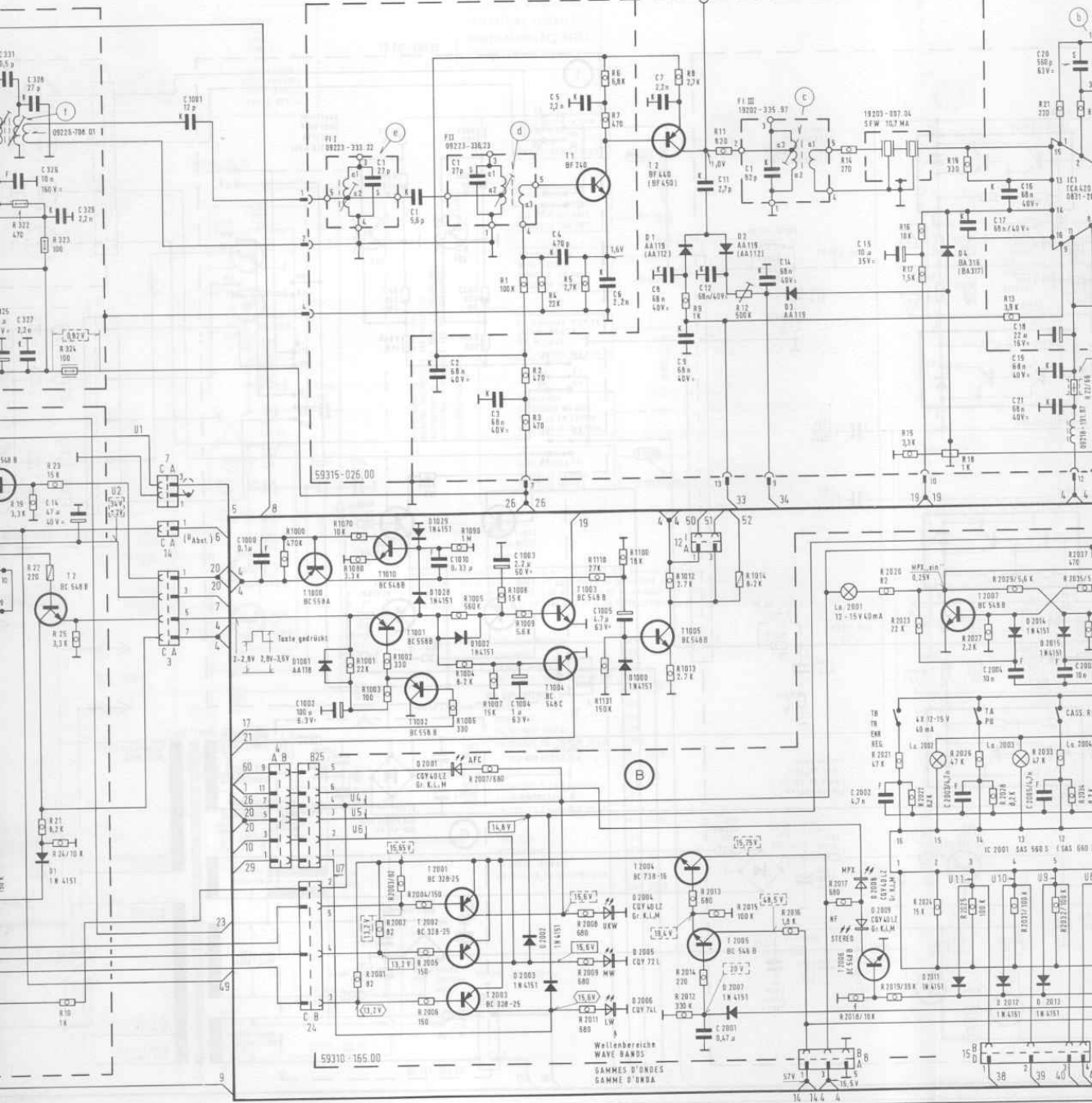


C	301, 302, 303, 304, 305, 306, 307, 308, 309, 310, 311, 312, 313, 314, 315, 316, 317, 318, 319, 320, 321, 322, 323, 324, 325, 326, 327, 328, 329, 330, 331, 332, 333, 334, 335
R	1, 2, 3, 4, 5, 6, 7, 8, 9, 10, 11, 12, 13, 14, 15, 16, 17, 18, 19, 20, 21, 22, 23, 24, 25, 26, 27, 28, 29, 30, 31, 32, 33, 34, 35

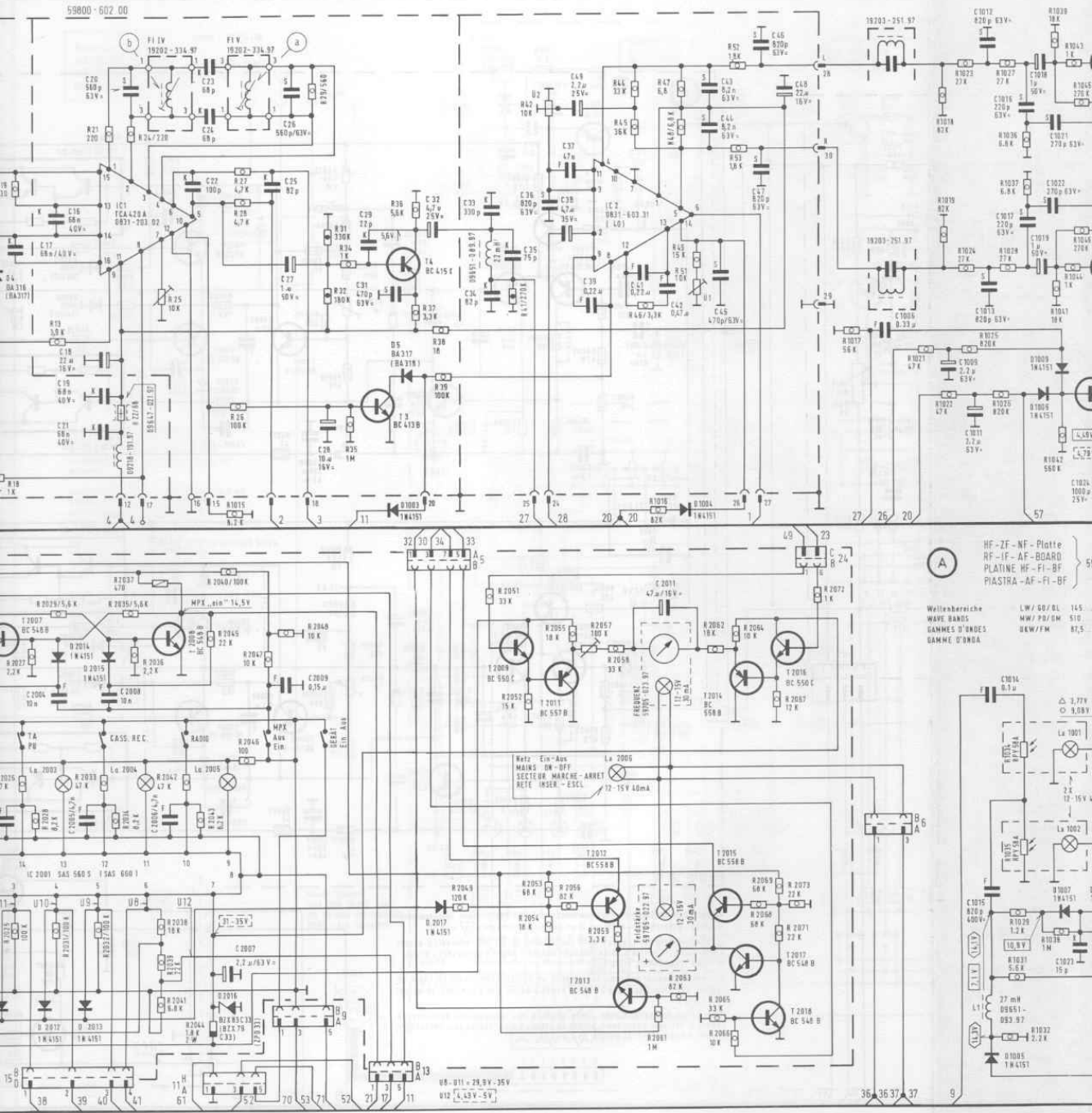


HiFi-Studio RPC 500

Schaltplan Teil 2



10, 315, 321, 328, 329, 326, 327, 327, 34	1001,	1000,	1002,	1010,	1083, 1004,	1005,	2001,	2002,	2003,	2004, 2005, 2006,	2001,	2002,	2003,	2004, 2005, 2006,	2007, 2009, 2013, 2014, 2015, 2016, 2017,	2018, 2019, 2020, 2021,	2022, 2023, 2024, 2025, 2026, 2027, 2029, 2030, 2031, 2032,
322, 323, 324, 18, 22, 23, 25, 21, 24, 10,	1006,	1081, 1070, 1002, 2004, 1006, 1080, 1007, 1009, 2001, 1090, 1003, 2005, 2002, 2003, 2006, 1004,	2008, 1110, 1100, 2009, 1131, 2011,	1012, 1013, 2015, 1014, 1013, 2014, 2012,	2016,	2020, 2019, 2010, 2011, 2023, 2024, 2026, 2027, 2029, 2017,	2033, 2034, 2032,										



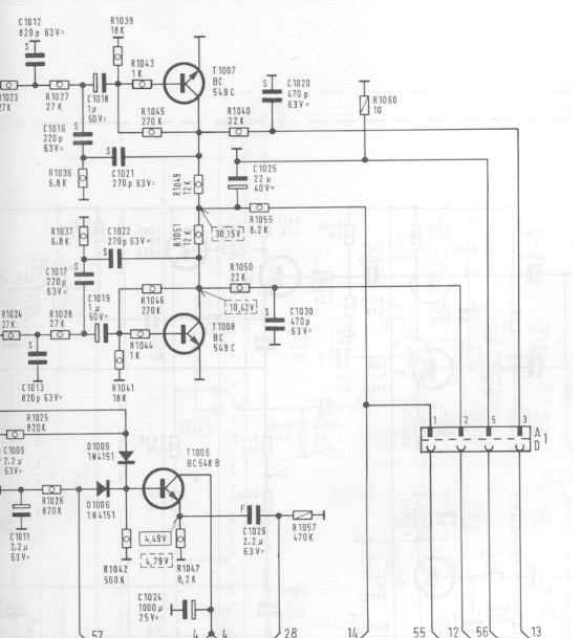
(A) HF-ZF-NF-Platte
 HF-IF-AF-BOARD
 PLATINE HF-FI-BF
 PIASTRA-AF-FI-BF

Wellenbereiche LW / DF / DL 14
 WAVE BANDS MW / FM 510
 GAMMES D'ONDES SW / FM RT.5

08-011 = 28.9V-35V
 012 = 4.3V-5V

2003, 2004, 2005, 2006, 2007, 2009, 2011, 2016, 2017, 2018, 2022, 2023, 2024, 2025, 2026, 2027, 2028, 2029, 2030, 2031, 2032, 2033, 2034, 2035, 2036, 2037, 2038, 2039, 2040, 2041, 2042, 2043, 2044, 2045, 2046, 2047, 2048, 2049, 2050, 2051, 2052, 2053, 2054, 2055, 2056, 2057, 2058, 2059, 2060, 2061, 2062, 2063, 2064, 2065, 2066, 2067, 2068, 2069, 2070, 2071, 2072, 2073, 2074, 2075, 2076, 2077, 2078, 2079, 2080, 2081, 2082, 2083, 2084, 2085, 2086, 2087, 2088, 2089, 2090, 2091, 2092, 2093, 2094, 2095, 2096, 2097, 2098, 2099, 2100

2026, 2027, 2029, 2033, 2034, 2037, 2038, 2042, 2045, 2049, 2047, 2048, 2049, 2051, 2052, 2053, 2055, 2057, 2058, 2061, 2063, 2067, 2064, 2068, 2067, 2072, 2019, 2075, 2078, 2031, 2032, 2035, 2039, 2043, 2046, 2038, 2041, 2044, 1016, 1008, 1014, 1013, 1016, 1016, 1017, 1023, 1021, 1015, 1017, 1018, 1022, 1012, 1021, 1018, 1022, 1027, 1029, 1034, 1038, 1044, 1049, 1024, 1026, 1031, 1035, 1037, 1041, 1012, 1025, 1026, 1032, 1036, 1038, 1042,

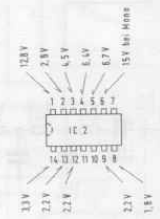
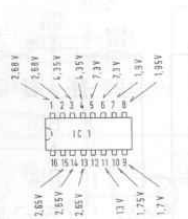
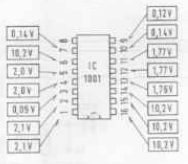


Automatic Stereo switching mit R25 (10k) auf 20 µA Antennenspannung (300k) einstellen (Sender 19 kHz, 6-7,5 kHz Mod, moduliert)

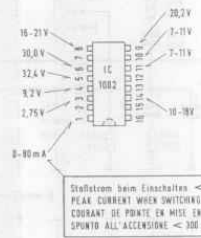
SET R25 (10k) TO OBTAIN AUTOMATIC STEREO SWITCHOVER WITH AN AERIAL INPUT SIGNAL OF 20 µV ACROSS 300 Ω (TRANSMITTER 19 KHZ, 6-7.5 KHZ DEVIATION, MODULATED WITH AUDIO SIGNAL)

REGLER LE SEUL LA COMMUTATION AUTOMATIQUE STEREO PAR R25 (10k) POUR TENSION D'ANTENNE DE 20 µV SUR 300 Ω (ÉMETTEUR MODULE 19KHZ, EXCURSION 6-7 KHZ)

REGOLARE LA COMMUTAZIONE AUTOMATICA STEREO AGENDO SU R25 (10k) PER UNA TENSIONE DI ANTENNA DI 20 MICROVOLT (300 Ω). L'EMETTITORE 19 KHZ, 6-7,5 KHZ DI DEVIAZIONE, MODULATO IN



ZF-PLL-Decoder (Steckmodul)



Steuern beim Einschalten < 300 mA PEAK CURRENT WHEN SWITCHING ON - COURANT DE POINTÉ EN MISE EN MARCHÉ À L'ACCENSION < 300 mA

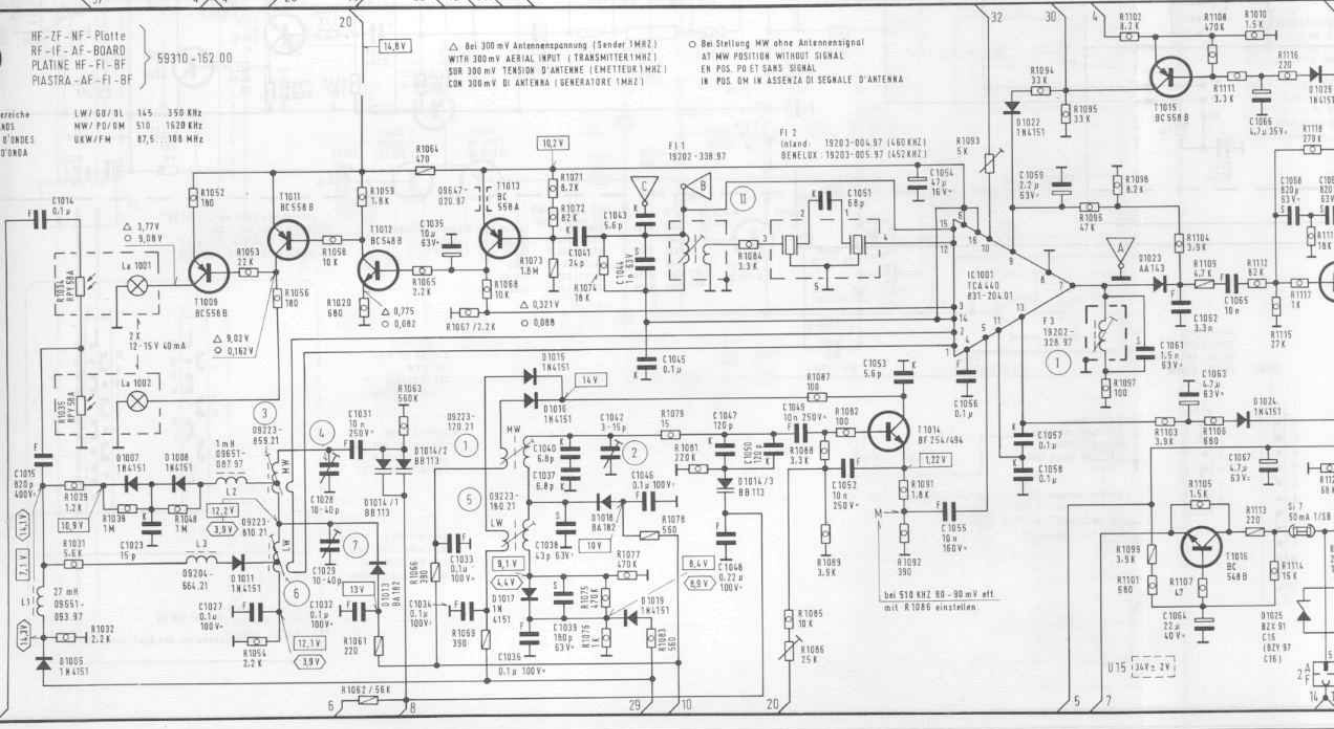
HF-ZF-NF-Platte
RF-IF-AF-BOARD
PLATINE HF-FI-BF
PIASTRA-AF-FI-BF

59310-162 00

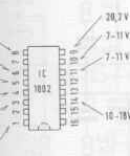
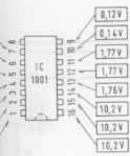
Bei 300 mV Antennenspannung (Sender 19kHz) mit 300 mV AERIAL INPUT (TRANSMITTER 19KHZ) 300 300 mV TENSION D'ANTENNE (ÉMETTEUR 19KHZ) CON 300 mV DI ANTENNA (GENERATORE 19KHZ)

Bei Stellung MW ohne Antennensignal AT MW POSITION WITHOUT SIGNAL EN POS. POS ET SANS SIGNAL IN POS. OM IN ASSENZA DI SEGNALE D'ANTENNA

Reichweite LW/P/D/UL 145 390 kHz
AD1 MW/P/D/DM 510 1620 kHz
D'UNDE1 UKW/FM 87,5 108 MHz
DUNDA



1009, 1014, 1015, 1016, 1017, 1021, 1023, 1024, 1027, 1028, 1029, 1031, 1035, 1036, 1037, 1038, 1039, 1041, 1042, 1043, 1044, 1046, 1047, 1048, 1050, 1051, 1052, 1053, 1054, 1056, 1059, 1060, 1061, 1062, 1063, 1064, 1065, 1066, 1067, 1068, 1069, 1071, 1074, 1077, 1078, 1079, 1084, 1085, 1087, 1088, 1089, 1091, 1092, 1093, 1094, 1095, 1096, 1097, 1098, 1099, 1100, 1101, 1102, 1103, 1104, 1105, 1106, 1107, 1108, 1109, 1110, 1111, 1112, 1113, 1114, 1115, 1116, 1117, 1118, 1119, 1120, 1121, 1122, 1123, 1124, 1125, 1126, 1127, 1128, 1129, 1130, 1131, 1132, 1133, 1134, 1135, 1136, 1137, 1138, 1139, 1140, 1141, 1142, 1143, 1144, 1145, 1146, 1147, 1148, 1149, 1150, 1151, 1152, 1153, 1154, 1155, 1156, 1157, 1158, 1159, 1160, 1161, 1162, 1163, 1164, 1165, 1166, 1167, 1168, 1169, 1170, 1171, 1172, 1173, 1174, 1175, 1176, 1177, 1178, 1179, 1180, 1181, 1182, 1183, 1184, 1185, 1186, 1187, 1188, 1189, 1190, 1191, 1192, 1193, 1194, 1195, 1196, 1197, 1198, 1199, 1200, 1201, 1202, 1203, 1204, 1205, 1206, 1207, 1208, 1209, 1210, 1211, 1212, 1213, 1214, 1215, 1216, 1217, 1218, 1219, 1220, 1221, 1222, 1223, 1224, 1225, 1226, 1227, 1228, 1229, 1230, 1231, 1232, 1233, 1234, 1235, 1236, 1237, 1238, 1239, 1240, 1241, 1242, 1243, 1244, 1245, 1246, 1247, 1248, 1249, 1250, 1251, 1252, 1253, 1254, 1255, 1256, 1257, 1258, 1259, 1260, 1261, 1262, 1263, 1264, 1265, 1266, 1267, 1268, 1269, 1270, 1271, 1272, 1273, 1274, 1275, 1276, 1277, 1278, 1279, 1280, 1281, 1282, 1283, 1284, 1285, 1286, 1287, 1288, 1289, 1290, 1291, 1292, 1293, 1294, 1295, 1296, 1297, 1298, 1299, 1300, 1301, 1302, 1303, 1304, 1305, 1306, 1307, 1308, 1309, 1310, 1311, 1312, 1313, 1314, 1315, 1316, 1317, 1318, 1319, 1320, 1321, 1322, 1323, 1324, 1325, 1326, 1327, 1328, 1329, 1330, 1331, 1332, 1333, 1334, 1335, 1336, 1337, 1338, 1339, 1340, 1341, 1342, 1343, 1344, 1345, 1346, 1347, 1348, 1349, 1350, 1351, 1352, 1353, 1354, 1355, 1356, 1357, 1358, 1359, 1360, 1361, 1362, 1363, 1364, 1365, 1366, 1367, 1368, 1369, 1370, 1371, 1372, 1373, 1374, 1375, 1376, 1377, 1378, 1379, 1380, 1381, 1382, 1383, 1384, 1385, 1386, 1387, 1388, 1389, 1390, 1391, 1392, 1393, 1394, 1395, 1396, 1397, 1398, 1399, 1400, 1401, 1402, 1403, 1404, 1405, 1406, 1407, 1408, 1409, 1410, 1411, 1412, 1413, 1414, 1415, 1416, 1417, 1418, 1419, 1420, 1421, 1422, 1423, 1424, 1425, 1426, 1427, 1428, 1429, 1430, 1431, 1432, 1433, 1434, 1435, 1436, 1437, 1438, 1439, 1440, 1441, 1442, 1443, 1444, 1445, 1446, 1447, 1448, 1449, 1450, 1451, 1452, 1453, 1454, 1455, 1456, 1457, 1458, 1459, 1460, 1461, 1462, 1463, 1464, 1465, 1466, 1467, 1468, 1469, 1470, 1471, 1472, 1473, 1474, 1475, 1476, 1477, 1478, 1479, 1480, 1481, 1482, 1483, 1484, 1485, 1486, 1487, 1488, 1489, 1490, 1491, 1492, 1493, 1494, 1495, 1496, 1497, 1498, 1499, 1500, 1501, 1502, 1503, 1504, 1505, 1506, 1507, 1508, 1509, 1510, 1511, 1512, 1513, 1514, 1515, 1516, 1517, 1518, 1519, 1520, 1521, 1522, 1523, 1524, 1525, 1526, 1527, 1528, 1529, 1530, 1531, 1532, 1533, 1534, 1535, 1536, 1537, 1538, 1539, 1540, 1541, 1542, 1543, 1544, 1545, 1546, 1547, 1548, 1549, 1550, 1551, 1552, 1553, 1554, 1555, 1556, 1557, 1558, 1559, 1560, 1561, 1562, 1563, 1564, 1565, 1566, 1567, 1568, 1569, 1570, 1571, 1572, 1573, 1574, 1575, 1576, 1577, 1578, 1579, 1580, 1581, 1582, 1583, 1584, 1585, 1586, 1587, 1588, 1589, 1590, 1591, 1592, 1593, 1594, 1595, 1596, 1597, 1598, 1599, 1600, 1601, 1602, 1603, 1604, 1605, 1606, 1607, 1608, 1609, 1610, 1611, 1612, 1613, 1614, 1615, 1616, 1617, 1618, 1619, 1620, 1621, 1622, 1623, 1624, 1625, 1626, 1627, 1628, 1629, 1630, 1631, 1632, 1633, 1634, 1635, 1636, 1637, 1638, 1639, 1640, 1641, 1642, 1643, 1644, 1645, 1646, 1647, 1648, 1649, 1650, 1651, 1652, 1653, 1654, 1655, 1656, 1657, 1658, 1659, 1660, 1661, 1662, 1663, 1664, 1665, 1666, 1667, 1668, 1669, 1670, 1671, 1672, 1673, 1674, 1675, 1676, 1677, 1678, 1679, 1680, 1681, 1682, 1683, 1684, 1685, 1686, 1687, 1688, 1689, 1690, 1691, 1692, 1693, 1694, 1695, 1696, 1697, 1698, 1699, 1700, 1701, 1702, 1703, 1704, 1705, 1706, 1707, 1708, 1709, 1710, 1711, 1712, 1713, 1714, 1715, 1716, 1717, 1718, 1719, 1720, 1721, 1722, 1723, 1724, 1725, 1726, 1727, 1728, 1729, 1730, 1731, 1732, 1733, 1734, 1735, 1736, 1737, 1738, 1739, 1740, 1741, 1742, 1743, 1744, 1745, 1746, 1747, 1748, 1749, 1750, 1751, 1752, 1753, 1754, 1755, 1756, 1757, 1758, 1759, 1760, 1761, 1762, 1763, 1764, 1765, 1766, 1767, 1768, 1769, 1770, 1771, 1772, 1773, 1774, 1775, 1776, 1777, 1778, 1779, 1780, 1781, 1782, 1783, 1784, 1785, 1786, 1787, 1788, 1789, 1790, 1791, 1792, 1793, 1794, 1795, 1796, 1797, 1798, 1799, 1800, 1801, 1802, 1803, 1804, 1805, 1806, 1807, 1808, 1809, 1810, 1811, 1812, 1813, 1814, 1815, 1816, 1817, 1818, 1819, 1820, 1821, 1822, 1823, 1824, 1825, 1826, 1827, 1828, 1829, 1830, 1831, 1832, 1833, 1834, 1835, 1836, 1837, 1838, 1839, 1840, 1841, 1842, 1843, 1844, 1845, 1846, 1847, 1848, 1849, 1850, 1851, 1852, 1853, 1854, 1855, 1856, 1857, 1858, 1859, 1860, 1861, 1862, 1863, 1864, 1865, 1866, 1867, 1868, 1869, 1870, 1871, 1872, 1873, 1874, 1875, 1876, 1877, 1878, 1879, 1880, 1881, 1882, 1883, 1884, 1885, 1886, 1887, 1888, 1889, 1890, 1891, 1892, 1893, 1894, 1895, 1896, 1897, 1898, 1899, 1900, 1901, 1902, 1903, 1904, 1905, 1906, 1907, 1908, 1909, 1910, 1911, 1912, 1913, 1914, 1915, 1916, 1917, 1918, 1919, 1920, 1921, 1922, 1923, 1924, 1925, 1926, 1927, 1928, 1929, 1930, 1931, 1932, 1933, 1934, 1935, 1936, 1937, 1938, 1939, 1940, 1941, 1942, 1943, 1944, 1945, 1946, 1947, 1948, 1949, 1950, 1951, 1952, 1953, 1954, 1955, 1956, 1957, 1958, 1959, 1960, 1961, 1962, 1963, 1964, 1965, 1966, 1967, 1968, 1969, 1970, 1971, 1972, 1973, 1974, 1975, 1976, 1977, 1978, 1979, 1980, 1981, 1982, 1983, 1984, 1985, 1986, 1987, 1988, 1989, 1990, 1991, 1992, 1993, 1994, 1995, 1996, 1997, 1998, 1999, 2000



Stufenstrom beim Einschalten ≤ 300 mA.
 PEAK CURRENT WHEN SWITCHING ON ≤ 300 mA.
 COURANT DE POINTÉ EN MARCHE ≤ 300 mA.
 SPUNTO ALL ACCENSIONE ≤ 300 mA.

Spannungen mit Grundig-Millivoltmeter (RI 10 M Ω), falls nicht anders angegeben, gegen Masse gemessen.
 Measurements with Grundig millivoltmeter (RI 10 M Ω), unless otherwise specified, against chassis with a Grundig voltmeter (RI 10 M Ω).
 The values are valid for 220 V AC mains voltage.
 Instrument not warmed up by waveband (CW) FM-MONO, no signal applied to (LNRZ), 20°C ambient temperature, and closed volume control. All voltages must be measured via separating resistor.

IF NOT OTHERWISE INDICATED ALL VOLTAGES ARE MEASURED AGAINST CHASSIS WITH A GRUNDIG VOLTMETER (RI 10 M Ω). THE VALUES ARE VALID FOR 220 V AC MAINS VOLTAGE. INSTRUMENT NOT WARMED UP BY WAVEBAND (CW) FM-MONO, NO SIGNAL APPLIED TO (LNRZ), 20°C AMBIENT TEMPERATURE, AND CLOSED VOLUME CONTROL. ALL VOLTAGES MUST BE MEASURED VIA SEPARATING RESISTOR.

DAUF INDICATION CONTRAIRE, LES TENSIONS SONT MESUREES PAR RAPPORT AU CHASSIS AVEC UN VOLTMETRE GRUNDIG (RI 10 M Ω). LES VALEURS SONT VALABLES POUR UNE TENSION SECTEUR DE 220 V CA, L'APPAREIL EN ETAT NON-ECHAUFFE, DANS LES DAMMES D'ONDES (CW) FM-MONO, SANS SIGNAL DE (LNRZ), TEMPERATURE AMBIANTE DE 20°C ET REGLEAGE DE PUISSANCE FERME. LES TENSIONS SONT A MESURER A TRAVERS UNE RESISTANCE DE SEPARATION.

TENSIONI MISURATE CON MILLIVOLTMETRO GRUNDIG (RI 10 M Ω), SALVO ALTRE INDICAZIONI, RIFERITE A MASSA. I VALORI DI MISURA VALGONO CON TENSIONE DI RETE DI 220 V E RILEVATI A FREDDO SU (BL) (RM) (FM-MONO) SENZA SEGNALE DI (LNRZ) CON TEMPERATURA AMBIENTALE DI 20°C E COL REGOLATORE DI VOLUME A ZERO TUTTE LE TENSIONI SONO MISURATE MEDIANTE UNA RESISTENZA DI SEPARAZIONE.

Ersatzbestellung für Transistoren und Dioden nach Grundig Bestellvorschrift
 REPLACEMENT ORDER FOR TRANSISTORS AND DIODES ACCORDING TO GRUNDIG REGISTRATION REGULATION
 COMMANDE DE REMPLACEMENT POUR TRANS ET DIODES SUIVANT L'INSTRUCTION DE COMA. GRUNDIG
 ORDINAZIONE RICAMBI DI TRANSISTORI E DIODI SECONDO LE PRESCRIZIONI GRUNDIG

Dioden:
 0706 0956-041.06
 (SE30)
 80113 0956L-342.01

Ersatztypen in Klammern ()
 INTERCHANGEABLE TYPES IN BRACKETS ()
 TYPES DE RECHANGE EN PARENTHESES ()
 TIPI DI RICAMBI IN ()

Glühlampen:
 838 C300 0900 310.07
 840 C3000/3300 0900-471.01

Nummern für Dioden und Transistoren
 INDEX NUMBER FOR DIODES AND TRANSISTORS
 CHIFFRES REPERES POUR DIODES ET TRANSISTORS
 SIGLA PER DIODI E TRANSISTORI

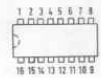
10 / PU / PHO

- 1= Aufn. Mono, Aufn. Stereo links
REC MONO, REC. LH STEREO
ENREG. MONO, ENREG. STEREO CANAL GAUCHE
PRESA-MONO, PRESA STEREO SINISTRO
- 2= Masse / GROUND / MASSA
- 3= Wiedergabe Mono, Wiedergabe Stereo links
PLAYBACK MONO, PLAYBACK LH STEREO
LECTURE MONO, LECTURE STEREO CANAL GAUCHE
RIPROD. MONO, RIPROD. STEREO SINISTRO
- 4= Aufn. Stereo rechts.
REC. RH STEREO
ENREG. STEREO CANAL DROIT
PRESA STEREO DESTRO
- 5= Wiedergabe Stereo rechts
PLAYBACK STEREO RH
LECTURE STEREO DROIT
RIPROD. STEREO DESTRO

IC:



SAS 500 S
 (SAS 500)
 SAS 500
 SAS 500

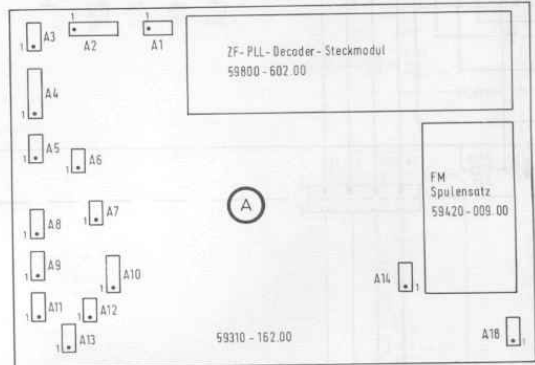
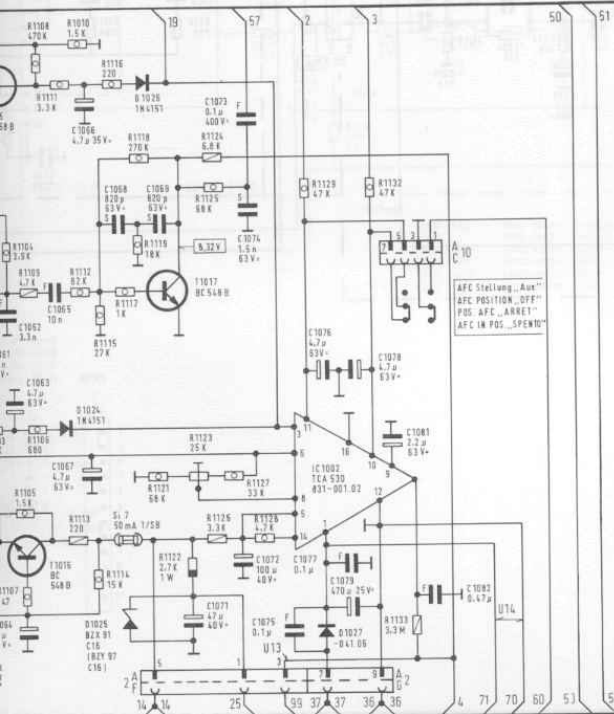


TCA 440 0931-204.01
 TCA 530 0931-001.02
 TCA 420 A 0931-203.02

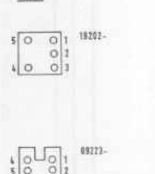
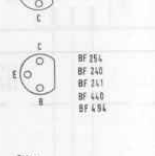
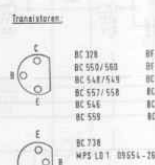


MC 1310 P 0931-603.31
 (-503 407-604 257-605 141)

Anzahl von ICs pro Platinenlot
 VUE NE POSSIBL'ESTA DA METTE



Lageplan für Steckverbindungen
 ARRANGEMENT OF PLUG CONNECTIONS
 ARRANGEMENT DES CONNEXIONS ENFICHABLES
 SCHEMA PER COLLEGAMENTI



82, 106 A, 106 B, 106 C, 106 D, 106 E, 107, 107 A, 107 B, 107 C, 107 D, 107 E, 107 F, 107 G, 107 H, 107 I, 107 J, 107 K, 107 L, 107 M, 107 N, 107 O, 107 P, 107 Q, 107 R, 107 S, 107 T, 107 U, 107 V, 107 W, 107 X, 107 Y, 107 Z, 108, 109, 110, 111, 112, 113, 114, 115, 116, 117, 118, 119, 120, 121, 122, 123, 124, 125, 126, 127, 128, 129, 130, 131, 132, 133, 134, 135, 136, 137, 138, 139, 140, 141, 142, 143, 144, 145, 146, 147, 148, 149, 150, 151, 152, 153, 154, 155, 156, 157, 158, 159, 160, 161, 162, 163, 164, 165, 166, 167, 168, 169, 170, 171, 172, 173, 174, 175, 176, 177, 178, 179, 180, 181, 182, 183, 184, 185, 186, 187, 188, 189, 190, 191, 192, 193, 194, 195, 196, 197, 198, 199, 200, 201, 202, 203, 204, 205, 206, 207, 208, 209, 210, 211, 212, 213, 214, 215, 216, 217, 218, 219, 220, 221, 222, 223, 224, 225, 226, 227, 228, 229, 230, 231, 232, 233, 234, 235, 236, 237, 238, 239, 240, 241, 242, 243, 244, 245, 246, 247, 248, 249, 250, 251, 252, 253, 254, 255, 256, 257, 258, 259, 260, 261, 262, 263, 264, 265, 266, 267, 268, 269, 270, 271, 272, 273, 274, 275, 276, 277, 278, 279, 280, 281, 282, 283, 284, 285, 286, 287, 288, 289, 290, 291, 292, 293, 294, 295, 296, 297, 298, 299, 300, 301, 302, 303, 304, 305, 306, 307, 308, 309, 310, 311, 312, 313, 314, 315, 316, 317, 318, 319, 320, 321, 322, 323, 324, 325, 326, 327, 328, 329, 330, 331, 332, 333, 334, 335, 336, 337, 338, 339, 340, 341, 342, 343, 344, 345, 346, 347, 348, 349, 350, 351, 352, 353, 354, 355, 356, 357, 358, 359, 360, 361, 362, 363, 364, 365, 366, 367, 368, 369, 370, 371, 372, 373, 374, 375, 376, 377, 378, 379, 380, 381, 382, 383, 384, 385, 386, 387, 388, 389, 390, 391, 392, 393, 394, 395, 396, 397, 398, 399, 400, 401, 402, 403, 404, 405, 406, 407, 408, 409, 410, 411, 412, 413, 414, 415, 416, 417, 418, 419, 420, 421, 422, 423, 424, 425, 426, 427, 428, 429, 430, 431, 432, 433, 434, 435, 436, 437, 438, 439, 440, 441, 442, 443, 444, 445, 446, 447, 448, 449, 450, 451, 452, 453, 454, 455, 456, 457, 458, 459, 460, 461, 462, 463, 464, 465, 466, 467, 468, 469, 470, 471, 472, 473, 474, 475, 476, 477, 478, 479, 480, 481, 482, 483, 484, 485, 486, 487, 488, 489, 490, 491, 492, 493, 494, 495, 496, 497, 498, 499, 500, 501, 502, 503, 504, 505, 506, 507, 508, 509, 510, 511, 512, 513, 514, 515, 516, 517, 518, 519, 520, 521, 522, 523, 524, 525, 526, 527, 528, 529, 530, 531, 532, 533, 534, 535, 536, 537, 538, 539, 540, 541, 542, 543, 544, 545, 546, 547, 548, 549, 550, 551, 552, 553, 554, 555, 556, 557, 558, 559, 560, 561, 562, 563, 564, 565, 566, 567, 568, 569, 570, 571, 572, 573, 574, 575, 576, 577, 578, 579, 580, 581, 582, 583, 584, 585, 586, 587, 588, 589, 590, 591, 592, 593, 594, 595, 596, 597, 598, 599, 600, 601, 602, 603, 604, 605, 606, 607, 608, 609, 610, 611, 612, 613, 614, 615, 616, 617, 618, 619, 620, 621, 622, 623, 624, 625, 626, 627, 628, 629, 630, 631, 632, 633, 634, 635, 636, 637, 638, 639, 640, 641, 642, 643, 644, 645, 646, 647, 648, 649, 650, 651, 652, 653, 654, 655, 656, 657, 658, 659, 660, 661, 662, 663, 664, 665, 666, 667, 668, 669, 670, 671, 672, 673, 674, 675, 676, 677, 678, 679, 680, 681, 682, 683, 684, 685, 686, 687, 688, 689, 690, 691, 692, 693, 694, 695, 696, 697, 698, 699, 700, 701, 702, 703, 704, 705, 706, 707, 708, 709, 710, 711, 712, 713, 714, 715, 716, 717, 718, 719, 720, 721, 722, 723, 724, 725, 726, 727, 728, 729, 730, 731, 732, 733, 734, 735, 736, 737, 738, 739, 740, 741, 742, 743, 744, 745, 746, 747, 748, 749, 750, 751, 752, 753, 754, 755, 756, 757, 758, 759, 760, 761, 762, 763, 764, 765, 766, 767, 768, 769, 770, 771, 772, 773, 774, 775, 776, 777, 778, 779, 780, 781, 782, 783, 784, 785, 786, 787, 788, 789, 790, 791, 792, 793, 794, 795, 796, 797, 798, 799, 800, 801, 802, 803, 804, 805, 806, 807, 808, 809, 810, 811, 812, 813, 814, 815, 816, 817, 818, 819, 820, 821, 822, 823, 824, 825, 826, 827, 828, 829, 830, 831, 832, 833, 834, 835, 836, 837, 838, 839, 840, 841, 842, 843, 844, 845, 846, 847, 848, 849, 850, 851, 852, 853, 854, 855, 856, 857, 858, 859, 860, 861, 862, 863, 864, 865, 866, 867, 868, 869, 870, 871, 872, 873, 874, 875, 876, 877, 878, 879, 880, 881, 882, 883, 884, 885, 886, 887, 888, 889, 890, 891, 892, 893, 894, 895, 896, 897, 898, 899, 900, 901, 902, 903, 904, 905, 906, 907, 908, 909, 910, 911, 912, 913, 914, 915, 916, 917, 918, 919, 920, 921, 922, 923, 924, 925, 926, 927, 928, 929, 930, 931, 932, 933, 934, 935, 936, 937, 938, 939, 940, 941, 942, 943, 944, 945, 946, 947, 948, 949, 950, 951, 952, 953, 954, 955, 956, 957, 958, 959, 960, 961, 962, 963, 964, 965, 966, 967, 968, 969, 970, 971, 972, 973, 974, 975, 976, 977, 978, 979, 980, 981, 982, 983, 984, 985, 986, 987, 988, 989, 990, 991, 992, 993, 994, 995, 996, 997, 998, 999, 1000.

1092, 1100, 1111, 1101, 1116, 1117, 1121, 1122, 1124, 1127, 1129, 1100, 1109, 1086, 1119, 1110, 1123, 1125, 1128, 1104, 1106, 1113, 1114, 1119, 1126,

Stereo links
 A STEREO
 SA STEREO CANAL GAUCHE
 SA STEREO SINISTRO

MASSA

Wiedergabe Stereo links
 PLAYBACK LP STEREO
 ACTIVE STEREO CANAL GAUCHE
 MD. STEREO SINISTRO

ANAL DROIT
 ESTRO

Rechts
 AN
 DROIT
 ESTRO

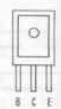
Transistoren:

BC 378
 BC 550/500
 BC 548/549
 BC 557/558
 BC 546
 BC 559

BF 614
 BF 374
 BC 238
 BC 182
 BC 413
 BC 415

BC 738
 MPS L01 09654-285.97

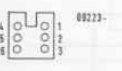
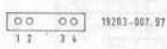
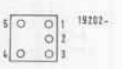
BF 254
 BF 240
 BF 241
 BF 440
 BF 434



BD 135
 BD 165
 GBO 179 09654-282.31

GBO 266/267 gep. 09654-277.02/-278.02
 GBO 645/646 gep. 09654-295.01/-296.01
 GBO04/6005 gep. 09654-279.25/-280.25
 BDX 53A/54A gep. 09654-430.29/-431.29

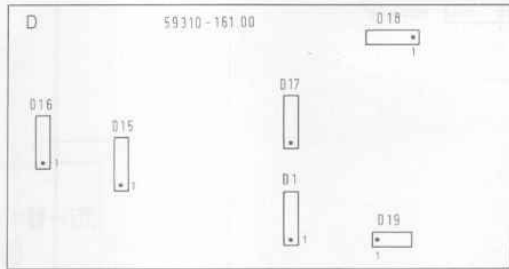
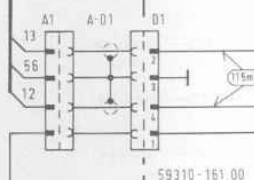
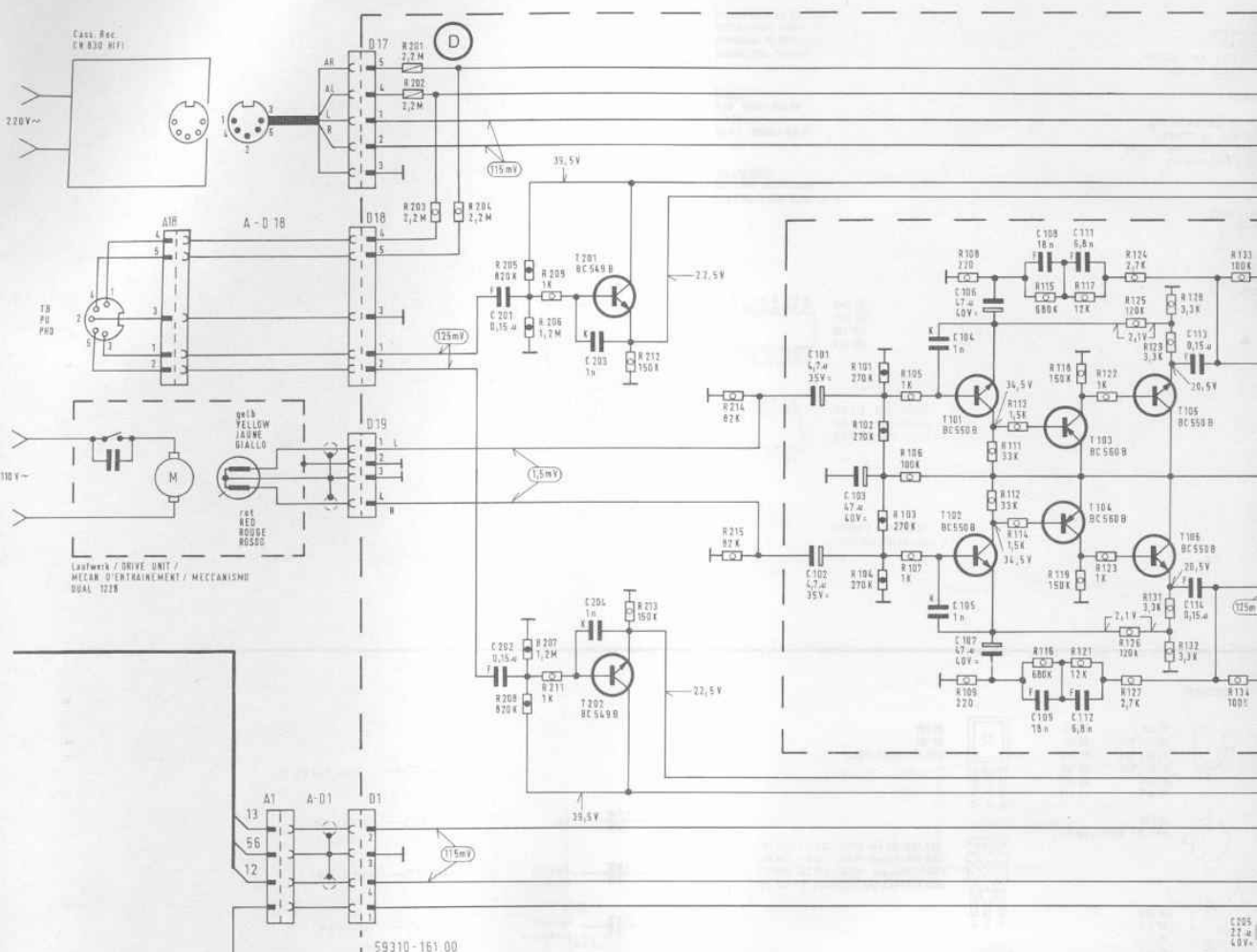
Filter:



Ansicht von oben / BOTTOM VIEW
 WER BE BE5002/10316 DA 50710

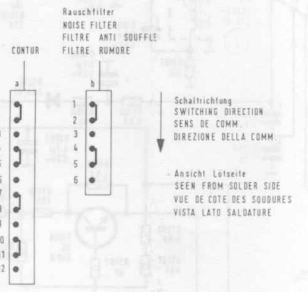
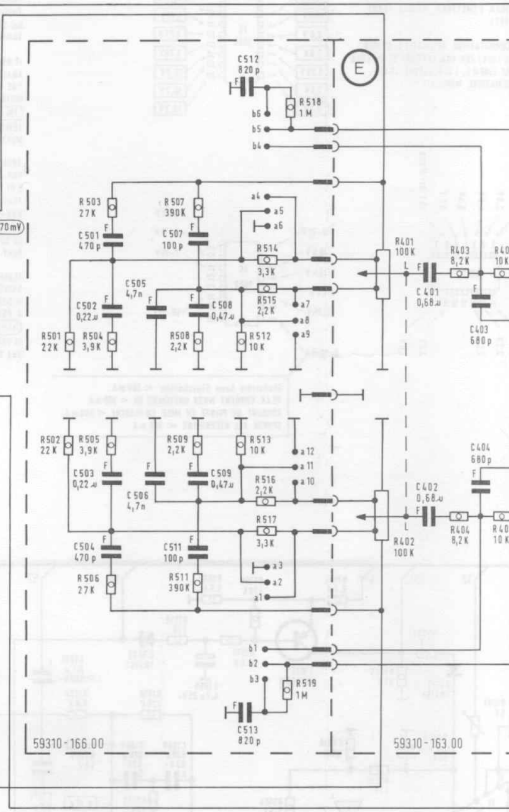
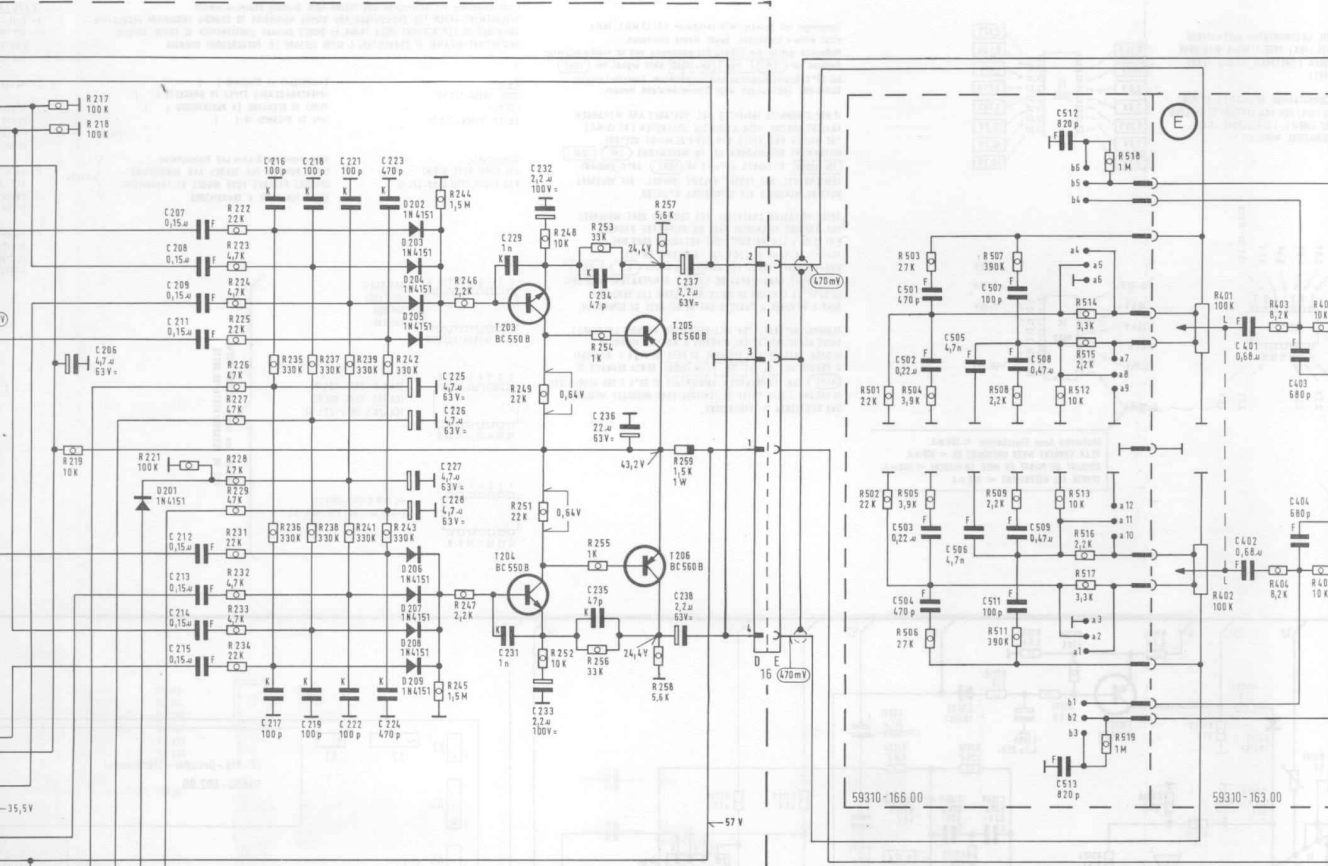
- Eiko
- Styrolux Kondensator
- Keramik Kondensator
- Folien Kondensator

- 0204 (1/20 W)
- 0207 (1/10 W)
- 0309 (1/8 W)
- 0414 (1/3 W)
- Metallschichtwiderstand
- Phosphorwiderstand
- 0537 (1/2 W)
- Druckwiderstand
- nicht brennbar
- 0207 rauchern

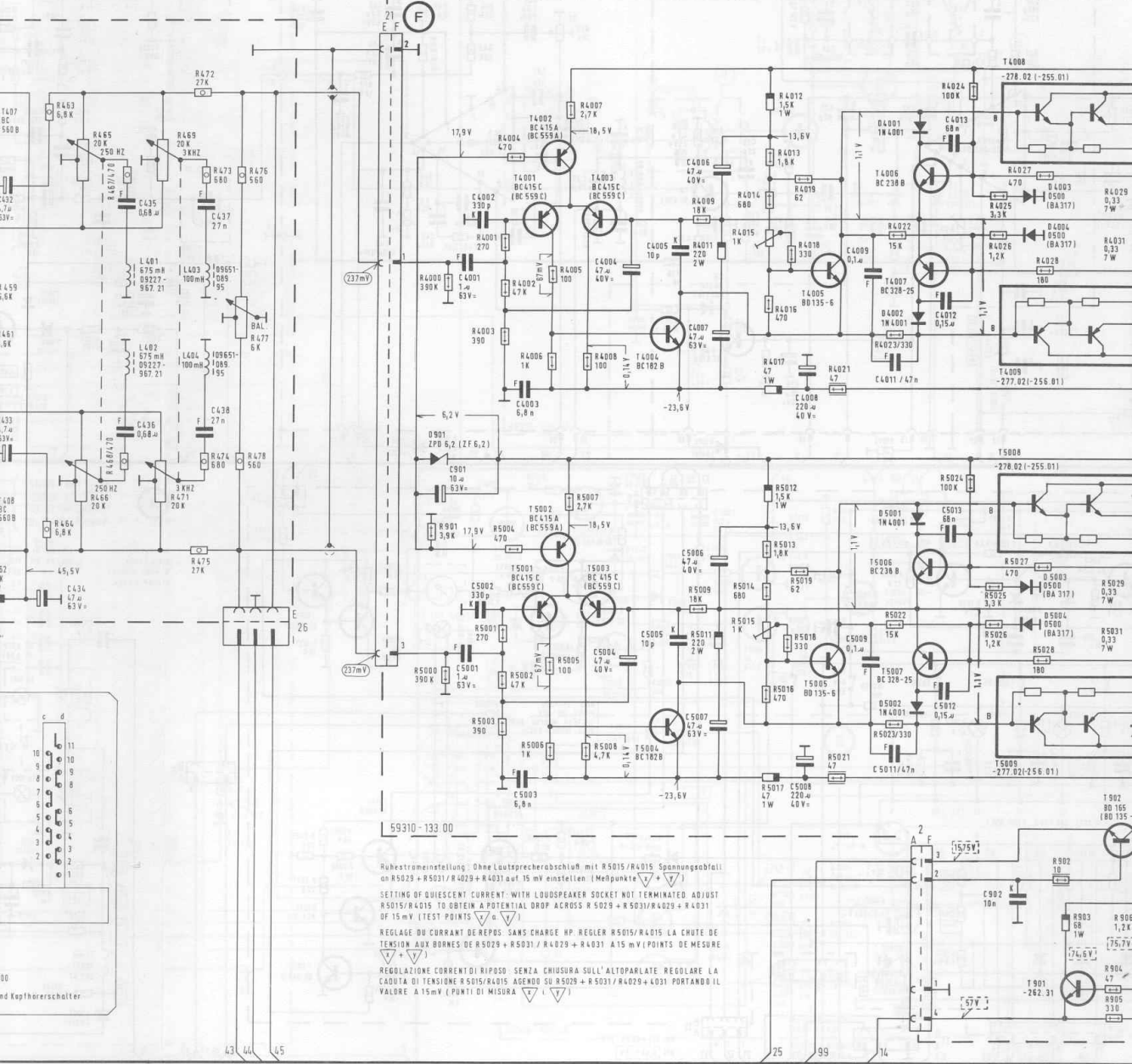


Lageplan für Steckverbindungen
 ARRANGEMENT OF PLUG CONNECTIONS
 ARRANGEMENT DES CONNEXIONS ENCHASSABLES
 SCHEMA PER COLLEGAMENTI

201,	203,	204,	205,	206,	207,	208,	209,	210,	211,	212,	213,	214,	215,	216,	217,	218,	219,	220,	221,	222,	223,	224,	225,	226,	227,	228,	229,	230,	231,	232,	233,	234,	235,	236,	237,	238,	239,	240,
------	------	------	------	------	------	------	------	------	------	------	------	------	------	------	------	------	------	------	------	------	------	------	------	------	------	------	------	------	------	------	------	------	------	------	------	------	------	------

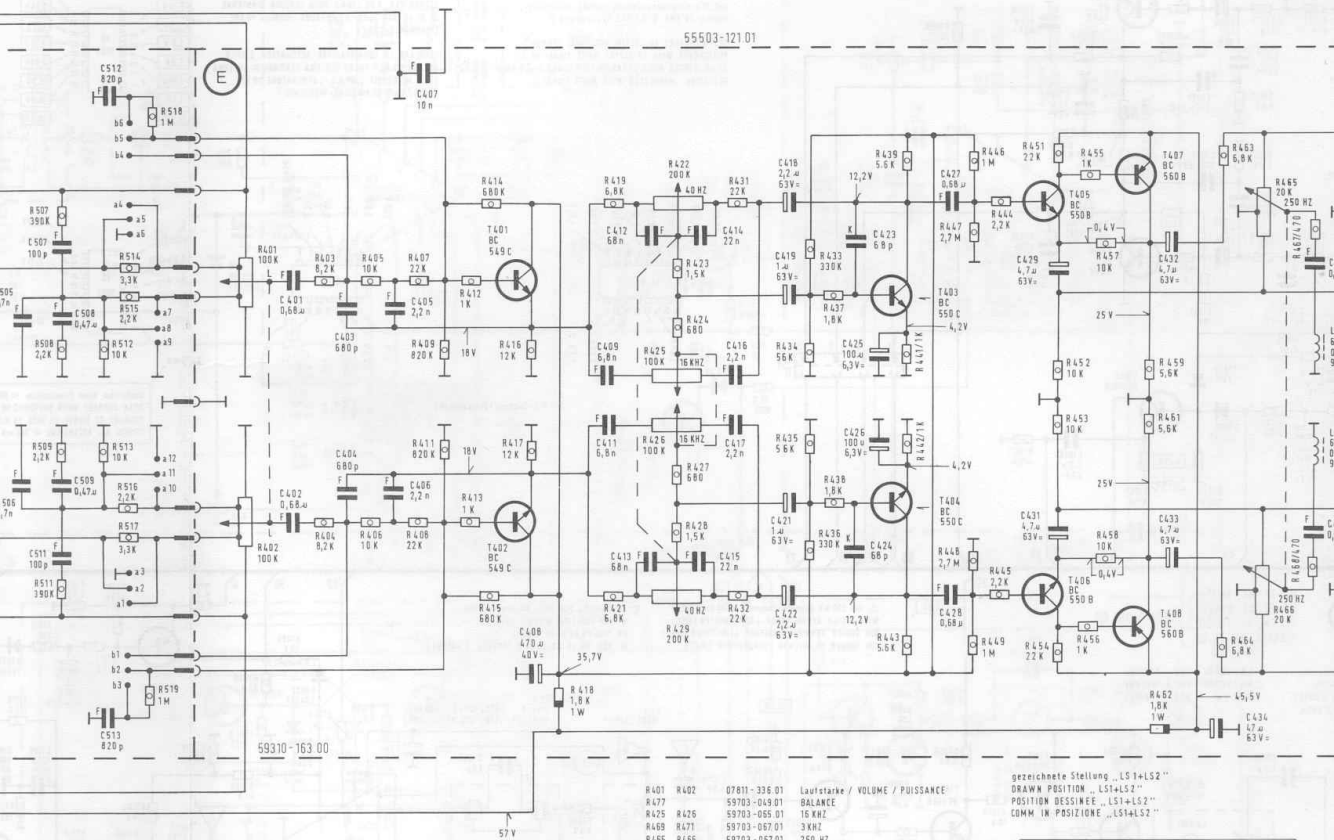


206,	207, 219,	216,	218,	221,	223,	225,	228,	230,	234,	237,	501,	505,	507,	512,	401,	403,	405,
210,	208, 213,	217,	219,	222,	224,	226,	231,	233,	235,	238,	502,	506,	508,	513,	402,	404,	406,
216,	209, 214,	218,	219,	222,	224,	227,	231,	233,	235,	238,	503,	507,	509,	514,	403,	405,	407,
217,	211, 215,	221,	222, 226,	231,	235,	237,	241,	243,	245,	247,	504,	508,	510,	515,	404,	406,	408,
218,	221,	223, 227,	231,	236,	238,	241,	243,	245,	247,	249,	505,	509,	511,	516,	405,	407,	409,
219,	221,	224, 228,	233,	236,	238,	241,	243,	245,	247,	249,	506,	510,	512,	517,	406,	408,	410,
	221,	225, 229,	234,	236,	238,	241,	243,	245,	247,	249,	507,	511,	513,	518,	407,	409,	411,



Ruhestromeinstellung: Ohne Lautsprecherabchiur mit R5015/R4015 Spannungsabfall an R5029 + R5031/R4029 + R4031 auf 15 mV einstellen (Messpunkte ∇ + ∇)
 SETTING OF QUIESCIENT CURRENT: WITH LOUSPEAKER SOCKET NOT TERMINATED ADJUST R5015/R4015 TO OBTAIN A POTENTIAL DROP ACROSS R 5029 + R5031/R4029 + R4031 OF 15 mV (TEST POINTS ∇ + ∇)
 REGLAGE DU CRRANT DE REPOS: SANS CHARGE HP. REGLER R5015/R4015 LA CHUTE DE TENSION AUX BORNES DE R5029 + R5031/R4029 + R4031 A 15 mV (POINTS DE MESURE ∇ + ∇)
 REGOLAZIONE CORRENTI DI RIPOSO: SENZA CHIUSURA SULL'ALTOPARLATE: REGOLARE LA CADUTA DI TENSIONE R5015/R4015 AGENDO SU R5029 + R5031/R4029 + R4031 PORTANDO IL VALORE A 15 mV (PUNTI DI MISURA ∇ + ∇)

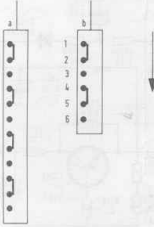
431, 433,	434,	435, 436,	437, 438,	439,	440,	441,	442,	443,	444,	445,	446,	447,	448,	449,	450,	451,	452,	453,	454,	455,	456,	457,	458,	459,	460,	461,	462,	463,	464,	465,	466,	467,	468,	469,	470,	471,	472,	473,	474,	475,	476,	477,	478,	479,	480,	481,	482,	483,	484,	485,	486,	487,	488,	489,	490,	491,	492,	493,	494,	495,	496,	497,	498,	499,	500,	501,	502,	503,	504,	505,	506,	507,	508,	509,	510,	511,	512,	513,	514,	515,	516,	517,	518,	519,	520,	521,	522,	523,	524,	525,	526,	527,	528,	529,	530,	531,	532,	533,	534,	535,	536,	537,	538,	539,	540,	541,	542,	543,	544,	545,	546,	547,	548,	549,	550,	551,	552,	553,	554,	555,	556,	557,	558,	559,	560,	561,	562,	563,	564,	565,	566,	567,	568,	569,	570,	571,	572,	573,	574,	575,	576,	577,	578,	579,	580,	581,	582,	583,	584,	585,	586,	587,	588,	589,	590,	591,	592,	593,	594,	595,	596,	597,	598,	599,	600,
-----------	------	-----------	-----------	------	------	------	------	------	------	------	------	------	------	------	------	------	------	------	------	------	------	------	------	------	------	------	------	------	------	------	------	------	------	------	------	------	------	------	------	------	------	------	------	------	------	------	------	------	------	------	------	------	------	------	------	------	------	------	------	------	------	------	------	------	------	------	------	------	------	------	------	------	------	------	------	------	------	------	------	------	------	------	------	------	------	------	------	------	------	------	------	------	------	------	------	------	------	------	------	------	------	------	------	------	------	------	------	------	------	------	------	------	------	------	------	------	------	------	------	------	------	------	------	------	------	------	------	------	------	------	------	------	------	------	------	------	------	------	------	------	------	------	------	------	------	------	------	------	------	------	------	------	------	------	------	------	------	------	------	------	------	------	------	------	------



- R401 R402 07811-336 01 Laufstake / VOLUME / PUISSANCE
- R477 59703-048 01 BALANCE
- R425 R426 59703-065 01 16 KHZ
- R469 R471 59703-067 01 3KHZ
- R485 R486 59703-067 01 250 HZ
- R422 R423 59703-066 01 40 HZ

gezeichnete Stellung „LS1+LS2“
 DRAWN POSITION „LS1+LS2“
 POSITION DESSINEE „LS1+LS2“
 COMM IN POSIZIONE „LS1+LS2“

Rauschfilter
 NOISE FILTER
 FILTRE ANTI SOUFFLE
 FILTRE RUMORE



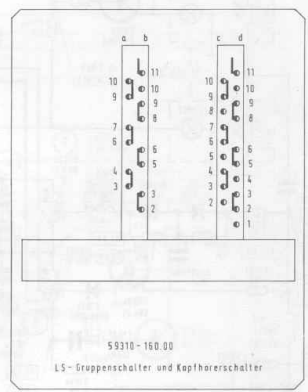
Schaltrichtung
 SWITCHING DIRECTION
 SENS DE COMM
 DIREZIONE DELLA COMM

Ansicht Lötseite
 SEW FROM SOLDER SIDE
 VUE DE COTE DES SoudURES
 VISTA LATO SALDATURE

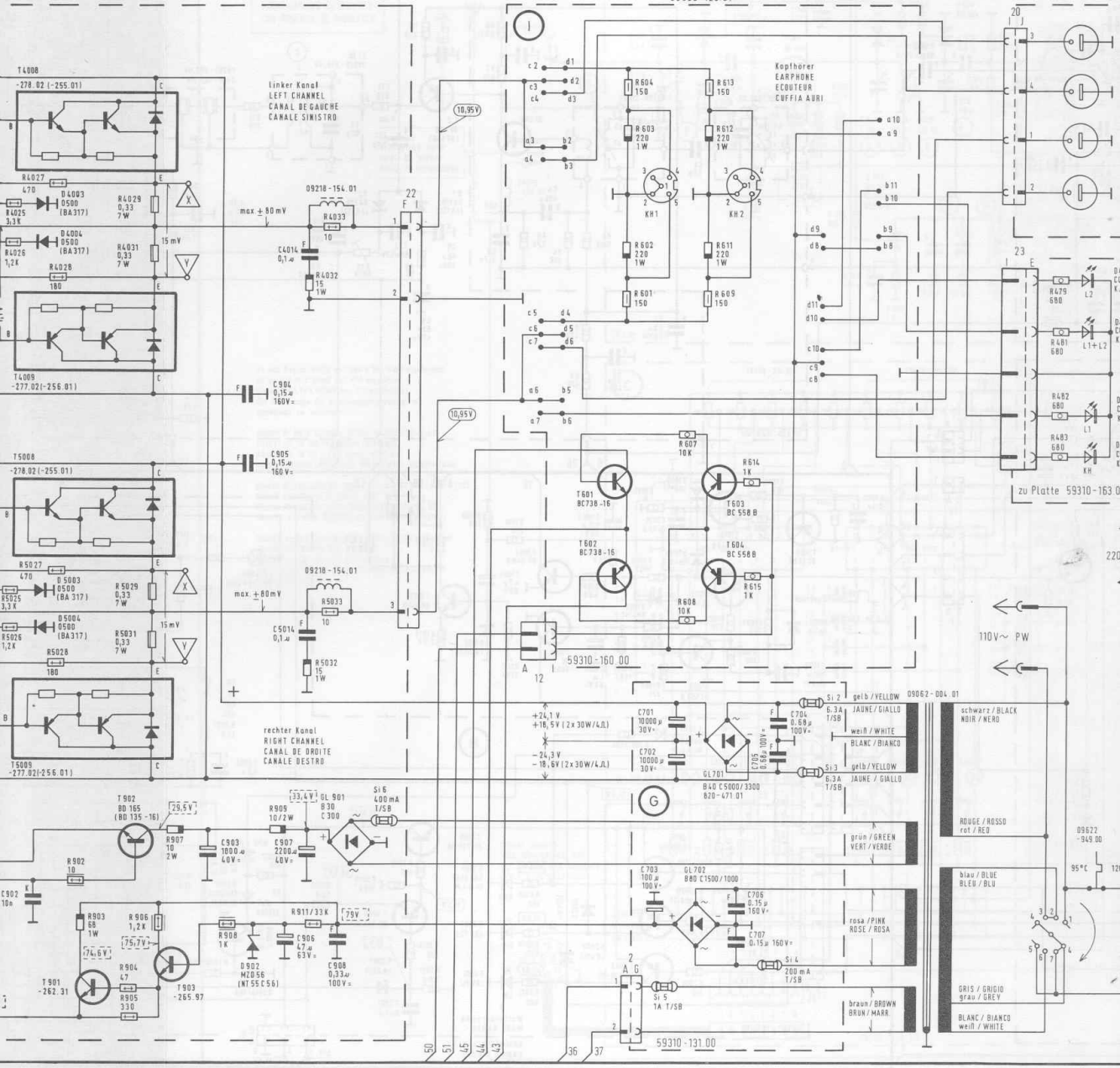
Ansicht von oben
 TOP VIEW
 VUE DE DESSUS
 VISTA DA SOPRA

⊙ Kontakt unten
 CONTACT AT BOTTOM
 CONTACT EN BAS
 CONTATTI DA SOTTO

Schaltrichtung
 SWITCHING DIRECTION
 SENS DE COMM
 DIREZIONE DELLA COMM



505,	507,	512,		401,	403,	405,	407,		409,	409,	412,	414,	416,	418,	421,	423,	425,	427,	429,	431,	432,	434,	435,
506,	508,	513,		402,	404,	406,			410,	411,	413,	415,	417,	419,	420,	422,	424,	426,	428,	430,	433,	434,	436,
507,	509,	514,	516,	403,	405,	407,	409,	411,	413,	415,	417,	419,	421,	423,	425,	427,	429,	431,	433,	435,	437,	439,	441,
508,	510,	515,	517,	404,	406,	408,	410,	412,	414,	416,	418,	420,	422,	424,	426,	428,	430,	432,	434,	436,	438,	440,	442,
509,	511,	516,	518,	405,	407,	409,	411,	413,	415,	417,	419,	421,	423,	425,	427,	429,	431,	433,	435,	437,	439,	441,	443,
510,	512,	517,	519,	406,	408,	410,	412,	414,	416,	418,	420,	422,	424,	426,	428,	430,	432,	434,	436,	438,	440,	442,	444,
511,	513,	518,	520,	407,	409,	411,	413,	415,	417,	419,	421,	423,	425,	427,	429,	431,	433,	435,	437,	439,	441,	443,	445,
		519,	521,	408,	410,	412,	414,	416,	418,	420,	422,	424,	426,	428,	430,	432,	434,	436,	438,	440,	442,	444,	446,
		520,	522,	409,	411,	413,	415,	417,	419,	421,	423,	425,	427,	429,	431,	433,	435,	437,	439,	441,	443,	445,	447,
		521,	523,	410,	412,	414,	416,	418,	420,	422,	424,	426,	428,	430,	432,	434,	436,	438,	440,	442,	444,	446,	448,
		522,	524,	411,	413,	415,	417,	419,	421,	423,	425,	427,	429,	431,	433,	435,	437,	439,	441,	443,	445,	447,	449,
		523,	525,	412,	414,	416,	418,	420,	422,	424,	426,	428,	430,	432,	434,	436,	438,	440,	442,	444,	446,	448,	450,
		524,	526,	413,	415,	417,	419,	421,	423,	425,	427,	429,	431,	433,	435,	437,	439,	441,	443,	445,	447,	449,	451,
		525,	527,	414,	416,	418,	420,	422,	424,	426,	428,	430,	432,	434,	436,	438,	440,	442,	444,	446,	448,	450,	452,
		526,	528,	415,	417,	419,	421,	423,	425,	427,	429,	431,	433,	435,	437,	439,	441,	443,	445,	447,	449,	451,	453,
		527,	529,	416,	418,	420,	422,	424,	426,	428,	430,	432,	434,	436,	438,	440,	442,	444,	446,	448,	450,	452,	454,
		528,	530,	417,	419,	421,	423,	425,	427,	429,	431,	433,	435,	437,	439,	441,	443,	445,	447,	449,	451,	453,	455,
		529,	531,	418,	420,	422,	424,	426,	428,	430,	432,	434,	436,	438,	440,	442,	444,	446,	448,	450,	452,	454,	456,
		530,	532,	419,	421,	423,	425,	427,	429,	431,	433,	435,	437,	439,	441,	443,	445,	447,	449,	451,	453,	455,	457,
		531,	533,	420,	422,	424,	426,	428,	430,	432,	434,	436,	438,	440,	442,	444,	446,	448,	450,	452,	454,	456,	458,
		532,	534,	421,	423,	425,	427,	429,	431,	433,	435,	437,	439,	441,	443,	445,	447,	449,	451,	453,	455,	457,	459,
		533,	535,	422,	424,	426,	428,	430,	432,	434,	436,	438,	440,	442,	444,	446,	448,	450,	452,	454,	456,	458,	460,
		534,	536,	423,	425,	427,	429,	431,	433,	435,	437,	439,	441,	443,	445,	447,	449,	451,	453,	455,	457,	459,	461,
		535,	537,	424,	426,	428,	430,	432,	434,	436,	438,	440,	442,	444,	446,	448,	450,	452,	454,	456,	458,	460,	462,
		536,	538,	425,	427,	429,	431,	433,	435,	437,	439,	441,	443,	445,	447,	449,	451,	453,	455,	457,	459,	461,	463,
		537,	539,	426,	428,	430,	432,	434,	436,	438,	440,	442,	444,	446,	448,	450,	452,	454,	456,	458,	460,	462,	464,
		538,	540,	427,	429,	431,	433,	435,	437,	439,	441,	443,	445,	447,	449,	451,	453,	455,	457,	459,	461,	463,	465,
		539,	541,	428,	430,	432,	434,	436,	438,	440,	442,	444,	446,	448,	450,	452,	454,	456,	458,	460,	462,	464,	466,
		540,	542,	429,	431,	433,	435,	437,	439,	441,	443,	445,	447,	449,	451,	453,	455,	457,	459,	461,	463,	465,	467,
		541,	543,	430,	432,	434,	436,	438,	440,	442,	444,	446,	448,	450,	452,	454,	456,	458,	460,	462,	464,	466,	468,
		542,	544,	431,	433,	435,	437,	439,	441,	443,	445,	447,	449,	451,	453,	455,	457,	459,	461,	463,	465,	467,	469,
		543,	545,	432,	434,	436,	438,	440,	442,	444,	446,	448,	450,	452,	454,	456,	458,	460,	462,	464,	466,	468,	470,
		544,	546,	433,	435,	437,	439,	441,	443,	445,	447,	449,	451,	453,	455,	457,	459,	461,	463,	465,	467,	469,	471,
		545,	547,	434,	436,	438,	440,	442,	444,	446,	448,	450,	452,	454,	456,	458,	460,	462,	464,	466,	468,	470,	472,
		546,	548,	435,	437,	439,	441,	443,	445,	447,	449,	451,	453,	455,	457,	459,	461,	463,	465,	467,	469,	471,	473,
		547,	549,	436,	438,	440,	442,	444,	446,	448,	450,	452,	454,	456,	458,	460,	462,	464,	466,	468,	470,	472,	474,
		548,	550,	437,	439,	441,	443,	445,	447,	449,	451,	453,	455,	457,	459,	461,	463,	465,	467,	469,	471,	473,	475,
		549,	551,	438,	440,	442,	444,	446,	448,	450,	452,	454,	456,	458,	460,	462,	464,	466,	468,	470,	472,	474,	476,
		550,	552,	439,	441,	443,	445,	447,	449,	451,	453,	455,	457,	459,	461,	463,	465,	467,	469,	471,	473,	475,	477,
		551,	553,	440,	442,	444,	446,	448,	450,	452,	454,	456,	458,	460,	462,	464,	466,	468,	470,	472,	474,	476,	478,



902,	903,	904, 905,	905, 906, 907,	908,	909, 910, 911,	703, 701, 702,	705, 707, 704, 705,	479, 481, 482, 483,
4025, 4026, 4027, 4028, 4029, 4030,	4027, 4028, 4029, 4030, 4031, 4032,	404, 405, 406, 407, 408, 409,	4032, 4033, 4034, 4035, 4036, 4037,	4032, 4033, 4034, 4035, 4036, 4037,	601, 602, 603, 604,	608, 607, 609, 610, 611, 612, 613,	614, 615,	479, 481, 482, 483,

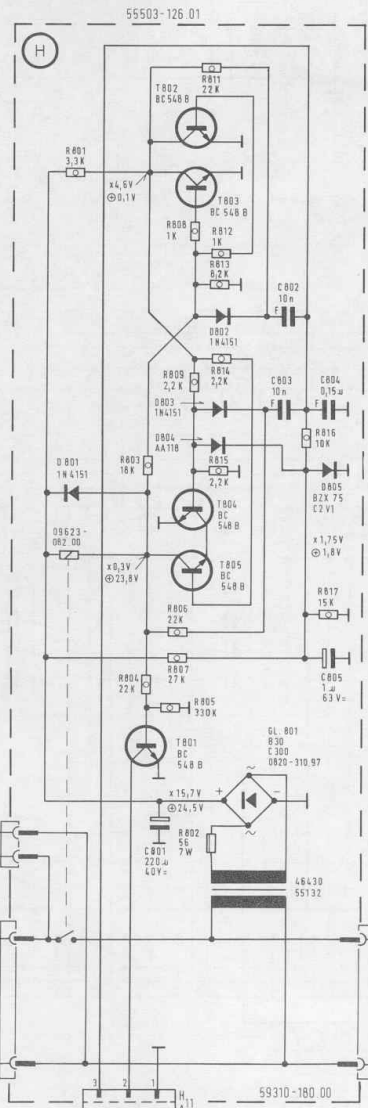
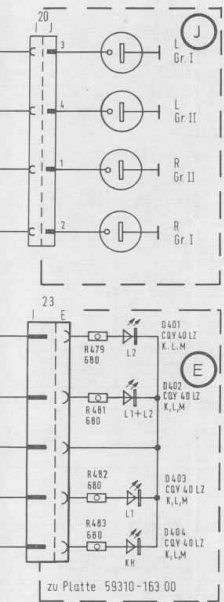
Gr. II = Gruppe II
GROUP II
GRUPO II
GRUPPO II

Gr. I = Gruppe I
GRUPP I
GRUPE I
GRUPPO I

L = Linker Kanal
LEFT CHANNEL
CANAL DE GAUCHE
CANALE SINISTRO

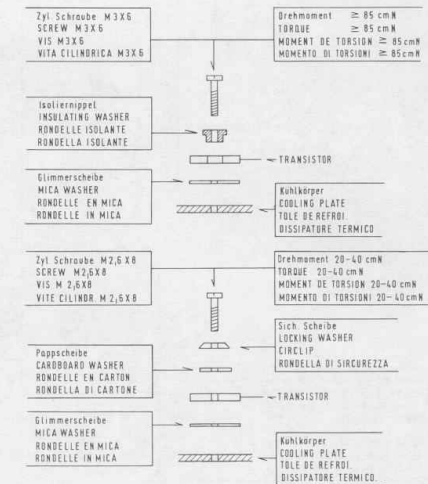
R = rechter Kanal
RIGHT CHANNEL
CANAL DE DROITE
CANALE DESTRO

Anderungen vorbehalten
ALTERATIONS RESERVED
MODIFICAZIONI RESERVEE
CON RISERVA DI MODIFICA



Montageanleitung für Transistoren
INSTALLATION GUIDE FOR TRANSISTORS
INSTRUCCIONES DE MONTAJE PARA LOS TRANSISTORES
ISTRUZIONI DI MONTAGGIO PER GLI TRANSISTORI

14004/14005/15004/15005



x = Ein / ON / MARCHE / INSERITO
⊕ = Aus / OFF / ARRET / ESCLUSO

Achtung, Glimmerscheibe beidseitig mit Silikonfett P12 bestreichen (Wacker-Chemie, München)
IMPORTANT: GREASE LA RONDELLE DE MICA AVEC DE LA GRAISSE P12 (WACKER-CHEMIE, MUNCHEN)
ATTENZIONE: LA RONDELLE IN MICA VA SPALMATO DA AMBO LE PARTI DI GRASSO AL SILICONI P12 (WACKER-CHEMIE, MUNCHEN)

Leistungsaufnahme	Cassetten Recorder	12 W
	Laufwerk	10 W
	TA ohne Signal	22 W
	FM-Stereo, PA= 2x30W an 4 JL	155 W
POWER CONSUMATION	CASS REC	12 W
	DRIVE UNIT	10 W
	PU, WITHOUT SIGNAL	22 W
	FM-STEREO, PA= 2x30W TO 4 JL	155 W
CONSUMATION ENV	CASS REC	12 W
	MECANISME D'ENTRAINEMENT	10 W
	PU, SANS SIGNAL	22 W
	FM-STEREO, PA= 2x30W AU 4 JL	155 W
DISSIPAZIONE	CASS REC	12 W
	MECCANISMO	10 W
	PU, SENZA SEGNALE	22 W
	FM-STEREO, PA= 2x30W IN 4 JL	155 W

Netz
MAINS
SECTEUR
RETE

110-130-220-240V~

479	801	803	805	808	812	816	817	C
481	804	806	809	813	817			R
482	807	802	814	811	815			
483								



HiFi-Studio RPC 500

Schaltplan Teil 1